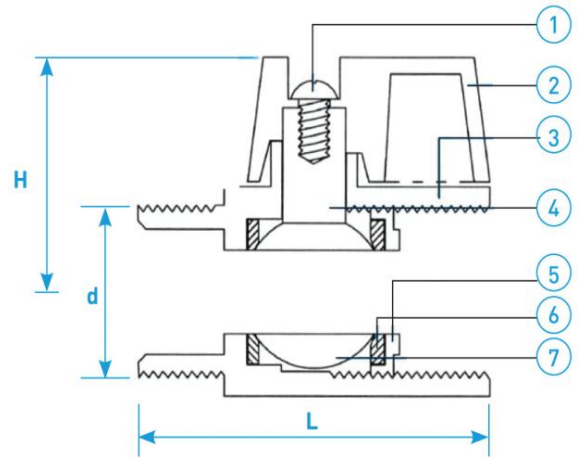


# 2 WAY MINI BALL VALVE

COMPLY WITH BSEN 12165:1998



CROSS SECTIONAL VIEW

## STANDARD SPECIFICATION

Working Pressure	200Psi
Applicable Medium	Water

## COMPONENT PARTS

ITEM	PARTS	MATERIAL
1	Screw	AISI304
2	Handle	Zinc Alloy
3	Body	Chrome plated DZR Brass
4	Stem	DZR Brass
5	Seat Retainer	DZR Brass
6	Seat	Teflon
7	Ball	Chrome plated DZR Brass

## DIMENSIONS

STOCK CODE	VALVE SIZE (mm)	H (mm)	D (mm)	L (mm)
2WMBVN15	15	28	15	45